



High-Back Task

The BodyBilt® High-Back Task chair combines comfort and adjustability while providing the ergonomic support for any task.

The #8 seat pan is designed with minimal contouring and fits the moderate sized worker. This model features ten standard adjustments that allow the user to control their own level of comfort. The E-style or “knee-tilt” mechanism allows the user to achieve a deep rocking or reclined posture.

ergoGENESIS

One BodyBilt Place
Navasota, TX 77868

Phone: 800-364-5299
Fax: 936-825-1725
www.ergogenesis.com

BODYBILT®

Specification Sheet

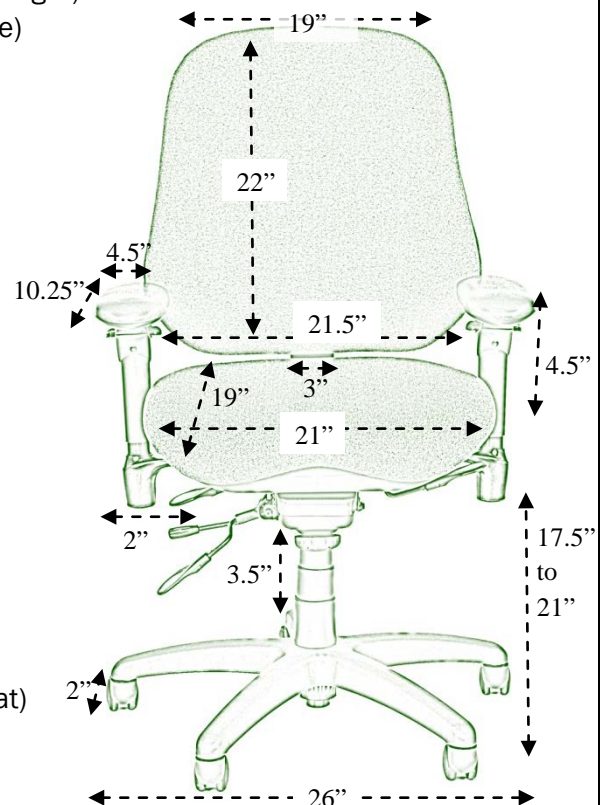
STANDARD FEATURES:

- High-Back (22.0" long x 21.5" wide)
- Fully upholstered back shell
- E-style adjustment mechanism (seat pivots from the front of mechanism)
- Seat depth adjuster (seat slider) (2.5" range)
- Backrest angle adjustment (16° range)
- Backrest height adjustment (3.5" range)
- Armrest height adjustment (4.5" range)
- Armrest angle adjustment (360° range)
- Armrest width adjustment (2" range)
- Black, non-upholstered arm pads (soft, 4.5" wide)
- Armpad width adjustment (2" range)
- Armpad angle adjustment (30° range)
- #8 Seat (19" depth x 21" width)
- Seat height adjustment (3.5" range*)
- Seat tilt adjustment (24° range)
- Tilt adjustment lever
- Tilt tension control
- 360° Swivel
- Black 26" five-star base

OPTIONAL ITEMS:

- *Varying height cylinders (from extra-short to extra-tall)
- Upholstered Arm Pads
- Variety of Casters & Glides
- S'port® Ridge
- Thoracic S'port® Ridge
- Posture Tecnic (PT) Option
- Different Base Options
- Special Stitching
- Fabric Protection
- S'port® Foam (back and/or seat)
- S'port® Lumbar
- Inflatable Air Lumbar®
- Specialty Arms

Model E2508



Contract Holder
Contract # GS-277-0045X