



## Mesh-Back Workstool

The Sola® Workstool by BodyBilt features the unique Halo footring, for complete foot and leg clearance at lower heights.

The R2607WS2 offers 10-point posture control, which allows the user to control their ergonomic level of comfort. The #7 seat pan is moderately contoured and fits the largest percentile of workers in regards to size, weight and frame.

**ergoGENESIS**

One BodyBilt Place  
Navasota, TX 77868

Phone: 800-364-5299  
Fax: 936-825-1725  
www.ergogenesis.com

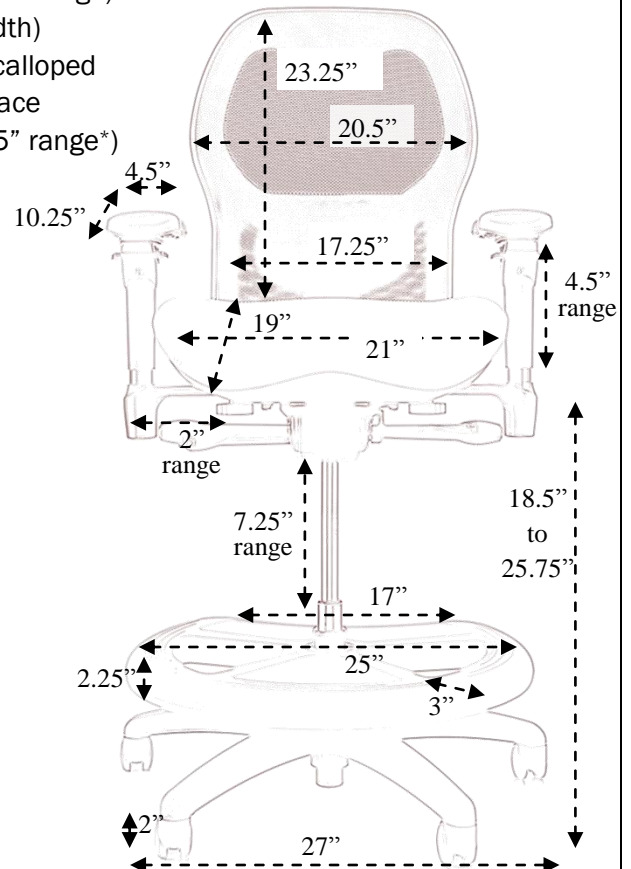
# BODYBILT®

## Specification Sheet

### STANDARD FEATURES:

- High-Back 23¼" long x 17¼" wide at bottom (20½" wide at widest point)
- Adjustable lumbar support, eight settings for a total of 9 inch lumbar range
- R-style adjustment mechanism (synchro-tilt with anti-kick features)
- Seat depth adjuster (seat slider) (2.5" range)
- Backrest angle adjustment (15° range)
- Armrest height adjustment (4.5" range)
- Armrest angle adjustment (360° range)
- Armrest assembly width adjustment (2" range)
- Black, non-upholstered arm pads (soft, 4.5" wide)
- Armpad width adjustment (2" range)
- Armpad angle adjustment (30° range)
- #7 Seat (19" depth x 21" width)
- Halo 3" wide footring, with scalloped indentation and textured surface
- Seat height adjustment (7.25" range\*)
- Tilt tension control
- 360° Swivel
- Black 27" five-star base
- 2-Stage Y15 Cylinder
- Hard floor casters (C2M)

## Model R2607WS2



### OPTIONAL ITEMS:

- \*Varying height cylinders
- Upholstered Arm Pads
- Variety of Casters & Glides
- Special Stitching
- Fabric Protection
- S'port® Foam (seat)
- Speciality Arms



Contract Holder  
Contract # 00-277-0043X