

BodyBilt®

Monitor Support Specs

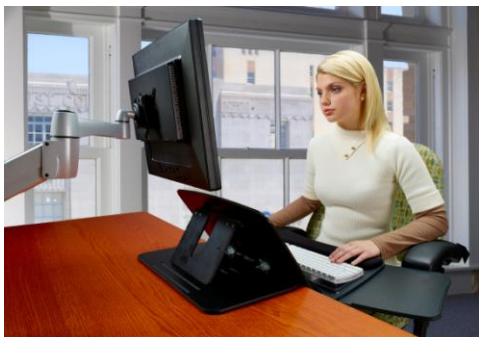
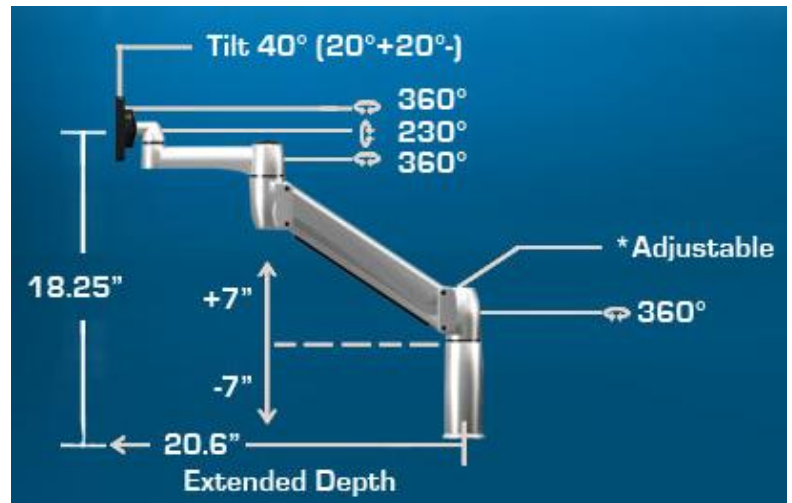
Product Number

EF-01-Q-GT-P



A superior monitor mounting system, with flexible easy movement vertically, horizontally, and at all angles. This flexibility works equally well in sit-stand environments. Supports monitors up to 22 lbs.

- Standard extension for up to 20.5" total horizontal extension.
- Landscape and Portrait rotation on ball joint
- 10" h stationary column
- Quick change feature comes standard
- Vesa hole pattern
- Platinum finish
- Grommet mount (optional C-Clamp or Bolt-thru Mount available upon request)
- Standard adjustable weight range 7 Lbs - 22 Lbs.
- An alternative weight range 2 Lbs - 10 Lbs or 15 Lbs - 32 Lbs can be specified when ordering.
- Multi-screen configurations (dual, triple or quad) are also available.



Quick change feature comes standard! →

