



Sit-Stand Monitor Support Specs

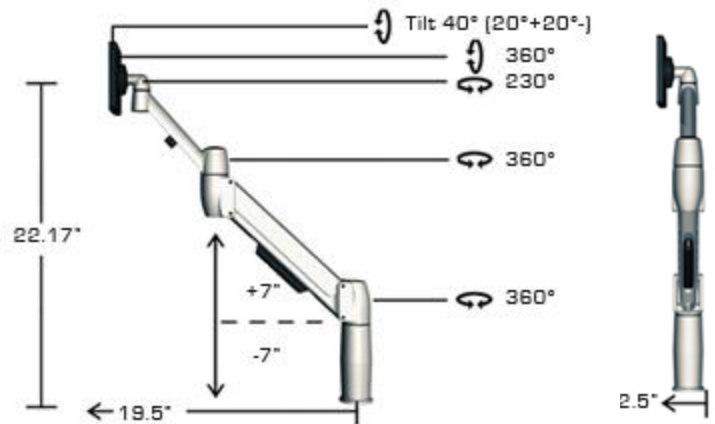
Product Number

EF-01-SS-Q-BT-P



ErgoFusion's Sit-Stand monitor arms have ease of adjustability that allow you to change monitor positions with minimal effort and maximum convenience, to experience the benefits of a sit-stand workstation.

- Upward extension to 22.17 horizontal movement.
- Landscape and Portrait rotation on ball joint
- 10" h stationary column
- Quick change feature comes standard
- Vesa hole pattern
- Platinum finish
- Large C-Clamp standard, also available in Bolt Through, Grommet, and Vertical Mount
- Standard weight range from 7 Lbs - 22 Lbs.
- An alternative weight range from 2 Lbs - 10 Lbs or 15 Lbs - 32 Lbs can be specified when ordering.
- Multi-screen configurations (dual, triple or quad) are available upon request.



Quick change feature comes standard! →

