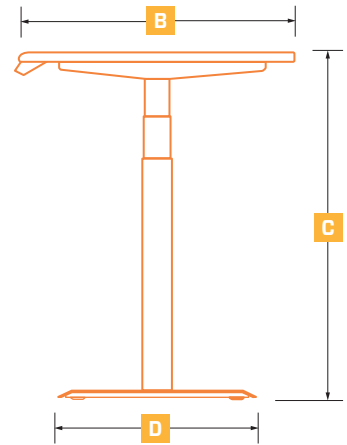
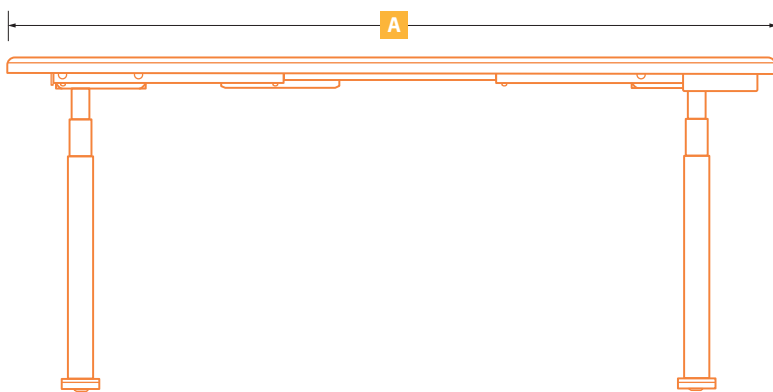


SERIES 2 HEIGHT-ADJUSTABLE TABLE



	SPEC DESCRIPTION	MEASUREMENT
A	Width*	48" or 60"
B	Depth**	30"
	Work Surface Thickness***	1.125"
C	Work Surface Height (range)	25.125" - 51.125"
D	Foot Depth	23.5"
	Distributed Weight Capacity	350 lbs.
	Controller	Up/Down, 4 pre-sets
	Adjustability Speed	1.4" per second

	SPEC DESCRIPTION	MEASUREMENT
	Anti-Collision Stop	Yes
	Decibel Rating	< 50 dB
	Volts	120 volts
	Amps	6.0 amps
	Watts	400 watts
	Standby Power	< 0.1 watts

*WORK SURFACE WIDTHS ARE NOMINAL, ACTUAL WORK SURFACE WIDTHS ARE 46" AND 58".

**WORK SURFACE DEPTH IS NOMINAL, ACTUAL WORK SURFACE DEPTH IS 29".

***DISTRIBUTED WEIGHT CAPACITY EXCLUDES WEIGHT OF WORK SURFACE.