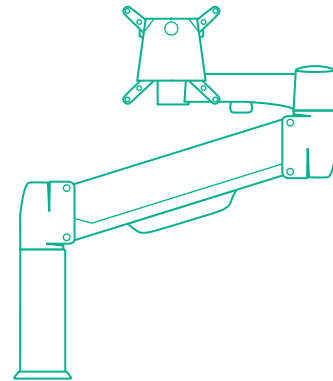
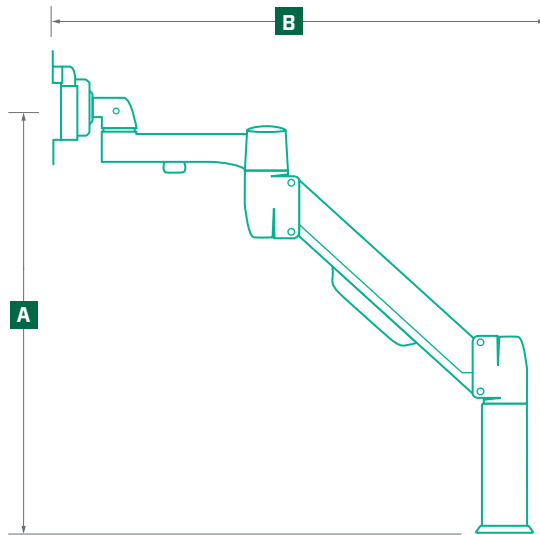


KEYNOTE CORE

SINGLE MONITOR ARM



	SPEC DESCRIPTION	MEASUREMENT
	Height Adjustment	12.50"
A	Height (range)*	5.75" - 18.25"
	Depth Adjustment	18.00"
B	Depth (range)	2.50" - 20.50"
	Monitor Rotation	360°
	Monitor Swivel	320°

	SPEC DESCRIPTION	MEASUREMENT
	Monitor Tilt	20° away
	Monitor Tilt	20° toward
	Primary/Lowest Joint Swivel	360°
	Secondary/Highest Joint Swivel	360°
	Weight Capacity	5 - 16 lbs.
	Monitor Mount	Conforms to VESA 75mm x 75mm, 100mm x 100mm, and 100mm x 200mm mounting patterns

*HEIGHT RANGE IS MEASURED AS THE CENTER OF THE MONITOR MOUNT FROM THE LOWEST TO THE HIGHEST POSITION.

KEYNOTE CORE



DESIGN YOUR MONITOR ARM

	CODE
KEYNOTE CORE - SINGLE MONITOR ARM	EF-01-Q
SELECT YOUR MOUNT TYPE	
Bolt Thru	-BT-P
Grommet	-GT-P
Large C Clamp	-CL-P