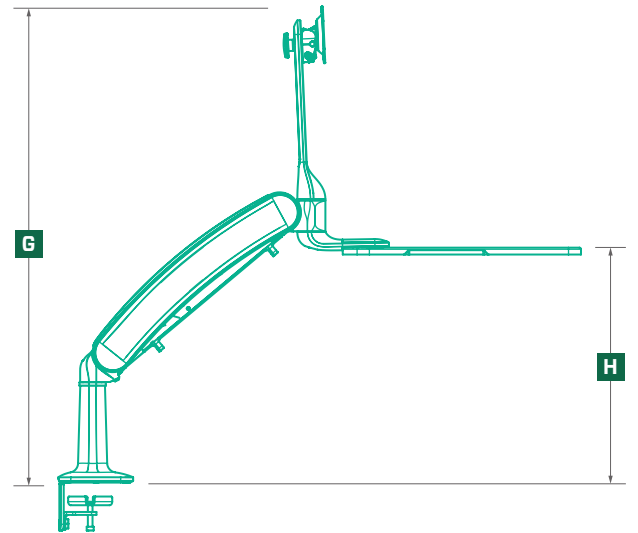
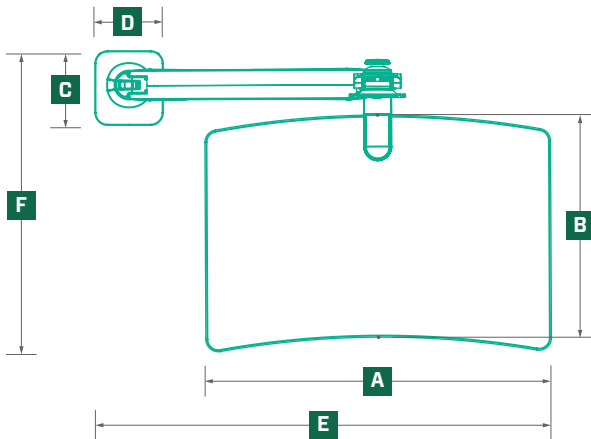


MAESTRO



	SPEC DESCRIPTION	MEASUREMENT
A	Tray Width	28.00"
B	Tray Depth	18.00"
C	Mount Depth	6.00"
D	Mount Width	5.50"
E	Total Width in Stowed Position	36.97"
F	Total Depth in Stowed Position	23.93"
G	VESA Mount Height (range)*	11.57" - 38.16"
H	Keyboard Tray Height (range)**	0.40" - 18.83"
	Monitor Height Adjustment	8.30"

	SPEC DESCRIPTION	MEASUREMENT
	Screen Rotation	90°
	Monitor Tower Swivel	90° left
	Monitor Tower Swivel	90° right
	Monitor Tilt	45° away
	Monitor Tilt	5° toward
	Weight Capacity - Single Monitor	6.5 - 24.5 lbs.
	Weight Capacity - Dual Monitor	1.5 - 19.5 lbs.
	Weight - Single Monitor	29 lbs.
	Weight - Dual Monitor	33 lbs.

*VESA MOUNT HEIGHT IS MEASURED FROM TOP OF WORK SURFACE TO TOP OF VESA MOUNT (INCLUDING 8.3" MONITOR HEIGHT RANGE).

**KEYBOARD TRAY HEIGHT IS MEASURED FROM TOP OF WORK SURFACE TO TOP OF KEYBOARD TRAY.

MAESTRO



DESIGN YOUR MAESTRO

	CODE
	EF-6033

STEP 1 SELECT THE NUMBER OF MONITORS

Maestro, Single Monitor	-E1
Maestro, Dual Monitor	-E102

STEP 2 SELECT THE FINISH

Black	-B
Black/Silver	-S