



High-Back Task

The BodyBilt® E-Series chair offers the most adjustability in the marketplace. With easy-to-reach adjustment paddles, you'll have support when and where you need it most.

The #7 seat pan is moderately contoured and fits the largest percentile of workers in regards to size, weight and frame. The E-style or "knee-tilt" mechanism allows the user to achieve a deep rocking or reclined posture.

ergoGENESIS

One BodyBilt Place
Navasota, TX 77868

Phone: 800-364-5299
Fax: 936-825-1725
www.ergogenesis.com

BODYBILT®

Specification Sheet

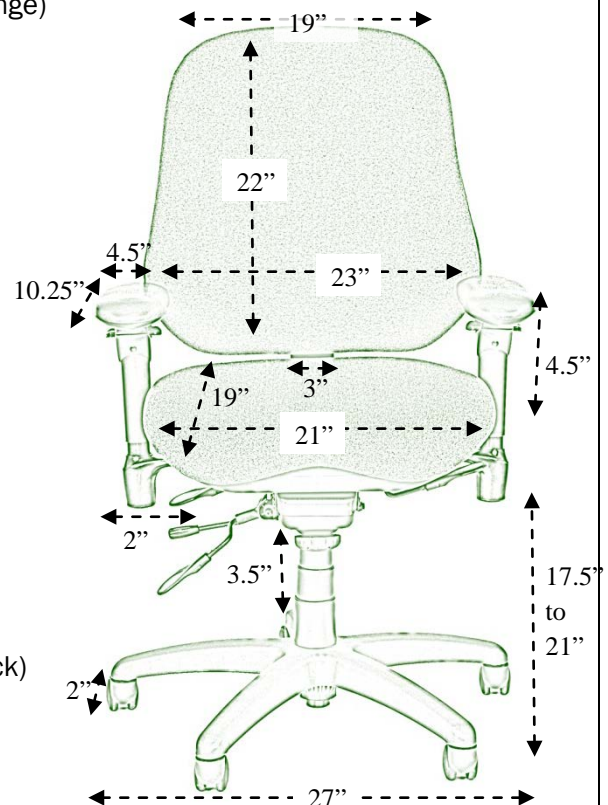
STANDARD FEATURES:

- High-Back (22.0" long x 21.5" wide)
- Fully upholstered back shell
- E-style adjustment mechanism (seat pivots from the front of mechanism)
- Seat depth adjuster (seat slider) (2.5" range)
- Backrest angle adjustment (16° range)
- Backrest height adjustment (3.5" range)
- Armrest height adjustment (4.5" range)
- Armrest angle adjustment (360° range)
- Armrest assembly width adjustment (2" range)
- Black, non-upholstered arm pads (soft, 4.5" wide)
- Armpad width adjustment (2" range)
- Armpad angle adjustment (30° range)
- #7 Seat (19" depth x 21" width)
- Seat height adjustment (3.5" range*)
- Seat tilt adjustment (18.5° range)
- Tilt adjustment lever
- Tilt tension control
- 360° Swivel
- Black 27" five-star base

OPTIONAL ITEMS:

- *Varying height cylinders (from extra-short to extra-tall)
- Upholstered Arm Pads
- Variety of Casters & Glides
- S'port® Ridge
- Thoracic S'port® Ridge
- Posture Tecnic (PT) Option
- Different Base Options
- Special Stitching
- Fabric Protection
- S'port® Foam (seat and/or back)
- S'port® Lumbar
- Inflatable Air Lumbar®
- Specialty Arms

Model E2507



Contract Holder
Contract # GS-277-0045X