



Mid-Back Stool

BodyBilt stools allow you to sit in true ergonomic comfort. Our stools combine the same pressure-reducing seats used in our standard seating, with quick and easy ergonomic adjustability ideal for laboratory, medical and industrial settings.

The J-style mechanism allows for a smooth rocking motion or may be locked in a stationary position.

ergoGENESIS

One BodyBilt Place
Navasota, TX 77868

Phone: 800-364-5299
Fax: 936-825-1725
www.ergogenesis.com

BODYBILT®

Specification Sheet

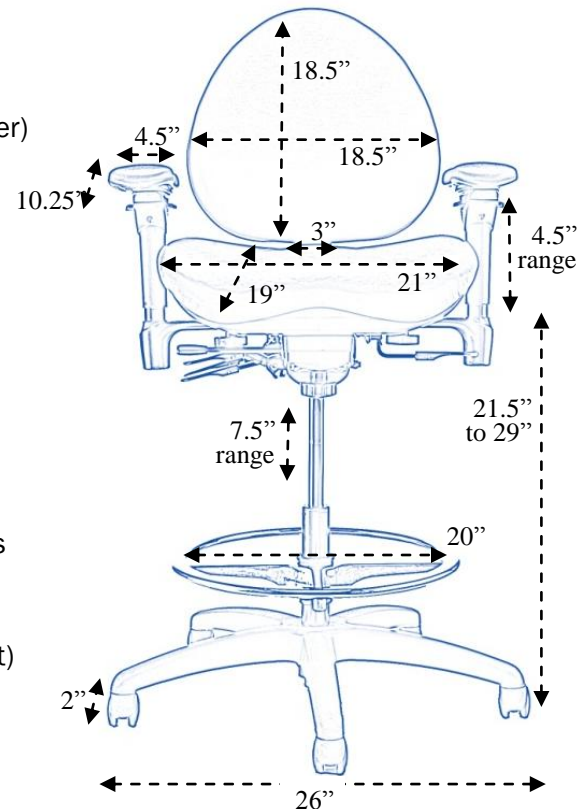
STANDARD FEATURES:

- Mid-Back (18.5" long x 18.5" wide)
- Non upholstered back shell
- J-style adjustment mechanism (seat pivots from the center of mechanism)
- Seat depth adjuster (seat slider) (2.5" range)
- Backrest angle adjustment (15° range)
- Backrest height adjustment (3.5" range)
- Armrest height adjustment (4.5" range)
- Armrest angle adjustment (360° range)
- Armrest assembly width adjustment (2" range)
- Black, non-upholstered arm pads (soft, 4.5" wide)
- Armpad width adjustment (2" range)
- Armpad angle adjustment (30° range)
- #7 Seat (19" depth x 21" width)
- Seat height adjustment (7.5" range* with tall cylinder)
- Seat tilt adjustment (16° range)
- Tilt adjustment lever
- Tilt tension control
- Black 26" five-star base
- Height-Adjusting Chrome Footring (20" diameter)
- 360° Swivel
- Hard floor casters (C2M)

OPTIONAL ITEMS:

- *Varying height cylinders (from extra-short to extra-tall)
- Upholstered Arm Pads
- S'port® Ridge
- Thoracic S'port® Ridge
- Different Base & Caster Options
- Special Stitching
- Fabric Protection
- S'port® Foam (back and/or seat)
- S'port® Lumbar
- Inflatable Air Lumbar®
- Specialty Arms

Model J757 Stool



SBA

FDA

GSA Contract Holder
Contract # GS-27F-0015X