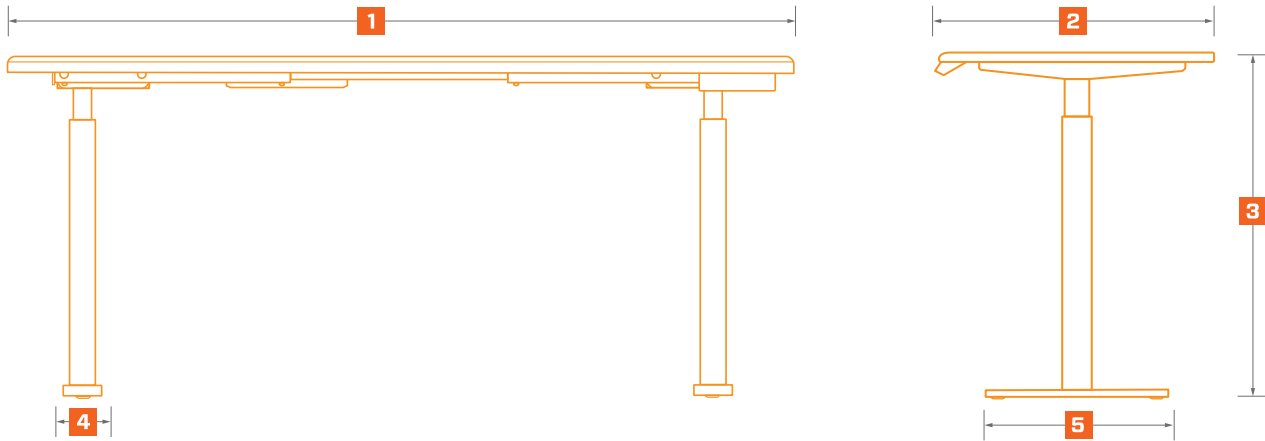


SEATING  
ERGONOMIC TOOLS  
> WORKSPACES  
CUSTOM SOLUTIONS

### SERIES 3 HEIGHT-ADJUSTABLE TABLE



	SPEC DESCRIPTION	MEASUREMENT
1	Width*	48.00"
2	Depth**	30.00"
	Work Surface Thickness	1.125"
3	Work Surface Height (range)	27.625" - 46.875"
4	Foot Width	2.756"
5	Foot Depth	23.50"
	Distributed Weight Capacity***	350 lbs.

	SPEC DESCRIPTION	MEASUREMENT
	Controller	Up/Down, 4 pre-sets
	Anti-Collision Stop	Yes
	Decibel Rating	< 50 dB
	Volts	120 volts
	Amps	6.0 amps
	Watts	400 watts
	Standby Power	< 0.1 watts

\*Work surface width is nominal, actual work surface width is 46".

\*\* Work surface depth is nominal, actual work surface depth is 29".

\*\*\* Distributed weight capacity excludes weight of the work surface.

## SERIES 3



### DESIGN YOUR HEIGHT-ADJUSTABLE TABLE

		CODE
<b>SERIES 3 HEIGHT-ADJUSTABLE TABLE</b>		HAT-S3-48
SELECT THE WORK SURFACE FINISH		
Venus Silver		-VS
Shaker Cherry		-SC
Haute Gray		-HG
Warm White		-WW